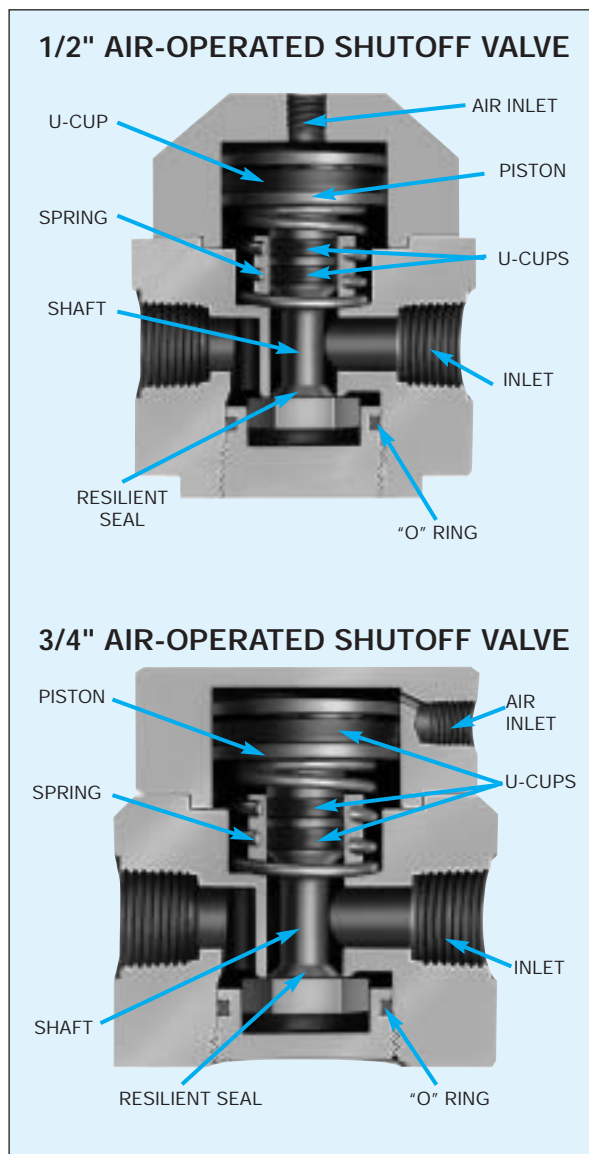


Air Operated Shut-Off Valve

Balanced, Direct Acting Design for High Backpressure or Vacuum Service

1/2" and 3/4" sizes for Corrosive and Ultra-Pure Liquids



Features:

- Compact design, light in weight – minimal space requirements.
- Balanced design rated to 150 psi inlet or outlet pressure (in PVC).
- Cv rated 2.5 on 1/2" size, 5.0 on 3/4" size.
- Direct-acting valve requires no pressure differential for operation.
- Ideal for corrosive processes and environments: No wetted metals, and no external fasteners on 1/2" size; minimal exposure on 3/4" size.
- Precision shaft and double U-cups provide smooth, non-sticking operation.
- Design provides bubble-tight shutoff in the event of power loss.
- Easy to install in any position with 1/4-20 mounting holes supplied.
- "Full" Backpressure rating – ideal for applications with high backpressure (i.e. sprayheads, manifolds, or similar constrictions downstream).
- Tested to over 1,000,000 cycles under laboratory conditions.

Design:

This compact valve is ideal for handling pure liquids, chemicals, acids and caustics where high flow and pressure are of prime concern, and it is not necessary to visually see the position of the valve. Series BSR shutoff valves require 25 psi of air pressure to open and are normally closed with a spring. The spring (stainless steel) is not in the liquid. Double U-Cup seals are used on the internal shaft for safety, low friction and long cycle life. This reduced friction design, in conjunction with a poppet seat at the valve orifice, results in a non-sticking design. This design also allows high pressure and flow rates, with minimal pressure drop. Due to the "balanced" design, valve outlet pressure (backpressure) can be as high as inlet pressure without affecting performance.

For mounting the valve securely, four 1/4-20 tapped holes are provided in the base of the body. There are no exposed metal fasteners or other hardware on the exterior of the 1/2" valve, which allows for mounting in a sump. Standard valves are built for pressure service. If vacuum is desired it must be stated on order.

AIR OPERATED SHUT-OFF VALVE

Materials of Construction:

Series BSR True Blue valve bodies are made from Type 1 Grade 1 PVC, or natural polypropylene. U-Cup seals and static O-Ring are available in Viton® and EPDM. Other body and seal materials are available upon request. The spring (not in liquid) is stainless steel. NPT threaded connections are standard. Sockets are available upon request.

Ordering Information:

Order by part number and specify material of construction. If unsure of chemical compatibility, please contact our Technical Sales department.

Caution: Standard BSR valves are built for pressure service. If vacuum is desired it must be stated on order.

Installation:



Four 1/4-20 tapped holes in the base permit easy mounting to secure the valve and also stabilize the process line piping.

Minimum air pressure is 25 psi. Maximum air pressure is 100 psi. Air supply should be filtered, regulated and lubricated.

Caution should be taken to ensure that the flow direction is correct. Threaded connections should never be made to metal piping and should be wrapped with PTFE tape or other sealant to effect a proper seal. It should be made hand tight followed by a quarter turn more with a strap wrench. Do not overtighten or use a pipe wrench as a future valve fracture could develop.

Viton are registered trademarks of Dupont.

1/2" BSR Valve Specifications:

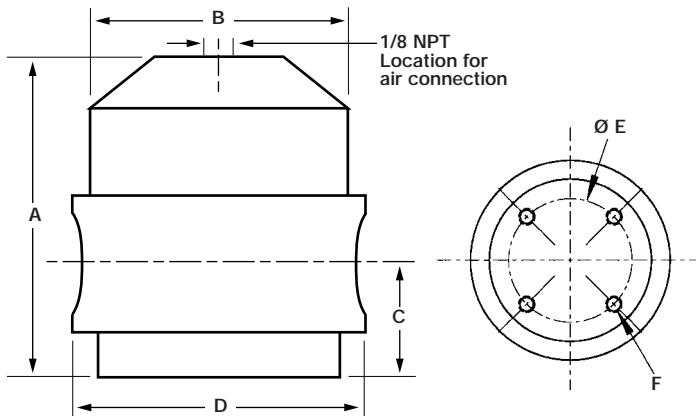
Cv	NPT OR BSP	INLET AND OUTLET Maximum Working Pressure* at given temperature			MODEL NUMBERS V=Viton EP=EPDM
		PVC			
		@ 77°F (25°C)	@ 140°F (60°C)		
2.5	1/2	150 PSI 10 BAR	40 PSI 2,7 BAR	BSR050V-NC-PV BSR050EP-NC-PV	
POLYPRO					
		77°F (25°C)	140°F (60°C)	180°F (80°C)	
2.5	1/2	100 PSI 6,9 BAR	50 PSI 3,4 BAR	20 PSI 1,3 BAR	BSR050V-NC-PP BSR050EP-NC-PP

*Typical application is pressure; however, valves can be built for vacuum if ordered correctly. See ordering information. Maximum air pressure - 100 PSI. Minimum air pressure - 25 PSI.

3/4" BSR Valve Specifications:

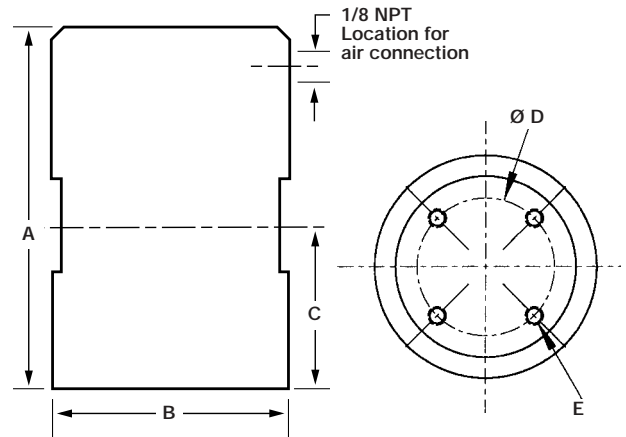
Cv	NPT OR BSP	INLET AND OUTLET Maximum Working Pressure* at given temperature			MODEL NUMBERS V=Viton EP=EPDM
		PVC			
		@ 77°F (25°C)	@ 140°F (60°C)		
5.0	3/4	150 PSI 10 BAR	40 PSI 2,7 BAR	BSR075V-NC-PV BSR075EP-NC-PV	
POLYPRO					
		77°F (25°C)	140°F (60°C)	180°F (80°C)	
5.0	3/4	100 PSI 6,9 BAR	50 PSI 3,4 BAR	20 PSI 1,3 BAR	BSR075V-NC-PP BSR075EP-NC-PP

*Typical application is pressure; however, valves can be built for vacuum if ordered correctly. See ordering information. Maximum air pressure - 100 PSI. Minimum air pressure - 25 PSI.



1/2" BSR Valve Dimensions

	A	B	C	D	ØE	F
IN.	3.25	2.687	1.875	3.0	1.85	1/4 - 20 THREAD
MM	82.5	68.2	30.2	76.2	47.0	.625" DEPTH



3/4" BSR Valve Dimensions

	A	B	C	ØD	F
IN.	4.562	3.5	1.562	3.0	1/4-20 THREAD
MM	115.9	88.9	39.7	76.2	.5" DEPTH

PLAST-O-MATIC

VALVES, INC.

1384 Pompton Ave., Cedar Grove, NJ 07009
 (973) 256-3000 • Fax (973) 256-4745
 www.plastomatic.com • Info@plastomatic.com

AUTHORIZED PLAST-O-MATIC DISTRIBUTOR