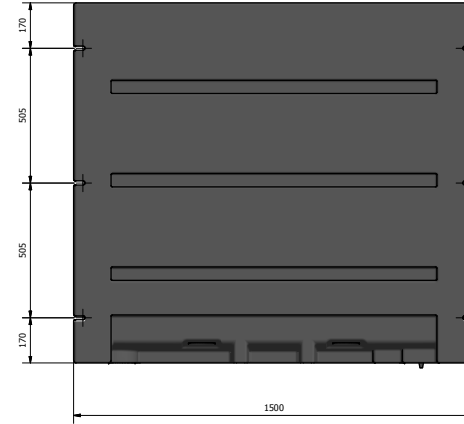
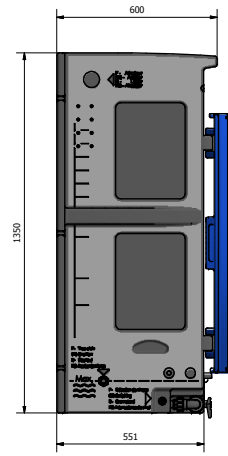
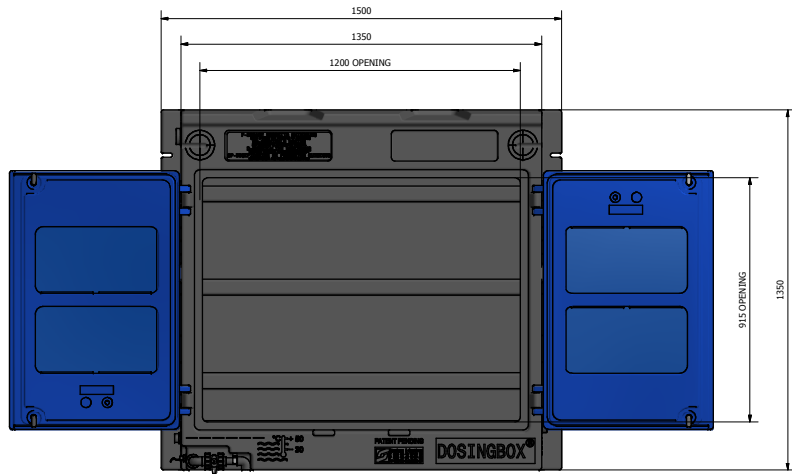
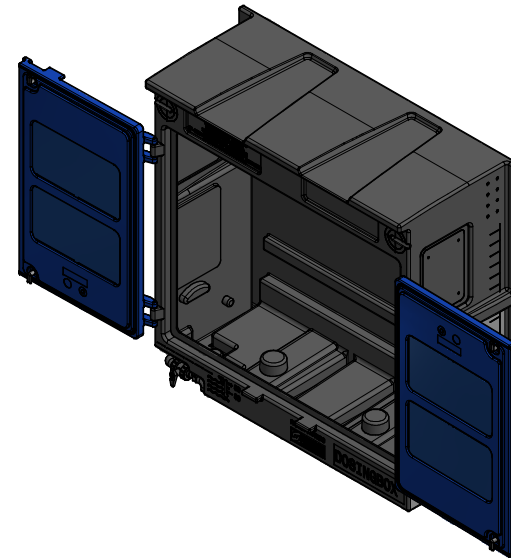


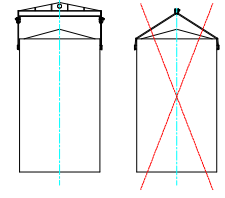
TANK DRY WEIGHT APPROX. 40KGS



ALWAYS REFER TO PLAN VIEW FOR TRUE ORIENTATIONS



FABRICATION NOTES



NOTE:- ALL PLASTIC TANKS TO BE LIFTED USING SUITABLY RATED LIFTING BEAM

- NOTES:-
1. ALL NOZZLES UPTO AND INCLUDING 110MM TO HAVE 3 OFF 10MM THK GUSSETS 100X100.
  2. ALL CUT EDGES TO BE PLANED AND SCRAPPED.
  3. ALL PEN MARKS TO BE REMOVED.
  4. AFTER HYDROTEST ALL NOZZLES TO BE BLANKED OFF USING YELLOW PE CAPS.

NOTE:- IF TANK HAS A SIDE MANWAY BOLTS TO BE TIGHTENED USING TORQUE WRENCH SET AT 95Nm  
CUSTOMER TO RE-TORQUE DURING ON SITE HYDROSTATIC TEST

DESIGN DATA		
GENERAL TOLERANCE +10mm -10mm	DESIGN CODE: BSEN 12573	
DRAWING PRODUCED USING AUTODESK	DESIGN PRESSURE: ATMOSPHERIC	
INVENTOR	OPERATING PRESSURE: ATMOSPHERIC	
DO NOT ALTER MANUALLY	NAME: _____ DATE: _____	
DO NOT SCALE - IF IN DOUBT ASK	SPECIFIC GRAVITY	
ALL DIMENSIONS IN MILLIMETRES UNLESS STATED	DESIGN TEMPERATURE	
ALWAYS REFER TO PLAN VIEW FOR CORRECT ORIENTATION	OPERATING TEMPERATURE	
ALL WELDS TO BE 6x3mm CORD WELDS UNLESS STATED	WORKING CAPACITY	
	MAXIMUM CAPACITY	
	FABRICATION SPECIFICATION	
	BASE	
	LID	
	BACKING RINGS	
	FASTENERS	A2 STAINLESS STEEL

**APPROVED WORKING DRAWING**

THE INFORMATION ON THIS DRAWING IS STRICTLY CONFIDENTIAL TO CHEM-RESIST GROUP LTD AND SHALL NOT BE DISCLOSED TO A THIRD PARTY WITHOUT PRIOR WRITTEN CONSENT ©COPYRIGHT 1998

INSPECTION AND TESTING

BSEN ISO 9001 QUALITY ASSURANCE IN PROCESS INSPECTION TANK TO BE FILLED WITH WATER FOR 24 HOURS MINIMUM

DRAWING No   TITLE		RELATED DRAWINGS	
11	Standard Drawings		
REVISIONS			
REV	AMENDMENT	DATE	BY
		16/2/17	HW

**CHEM RESIST**

BRITANIA HOUSE  
LOCKNEY  
RAVENSTHORPE INDUSTRIAL ESTATE  
OSWALDBY  
WEST YORKSHIRE  
WF13 3JQ  
ENGLAND  
Tel: +44 (0) 1924 494666  
Fax: +44 (0) 1924 490334  
Email: enquiry@chemresist.com  
www.http://www.chemresist.com

JOB No: \_\_\_\_\_ CLIENT: ChemResist DATE: PE100

TITLE: 1 Door Chemi Box SCALE: A1

DRAWN BY: HW DRG No: \_\_\_\_\_ PLOT: AL

DATE: 16/2/17 SHEET 1 OF 1