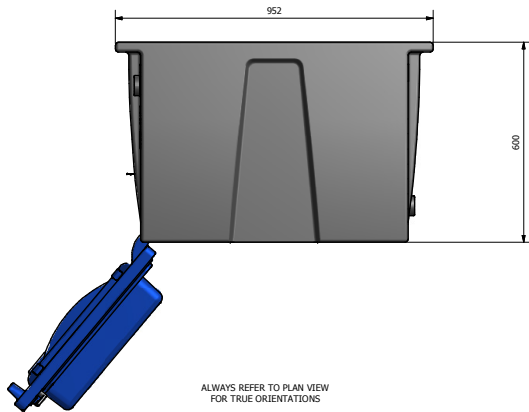
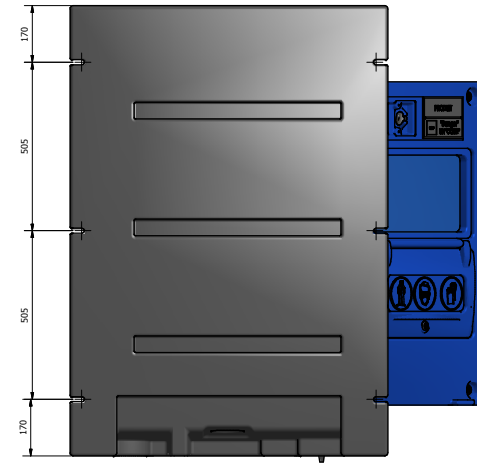
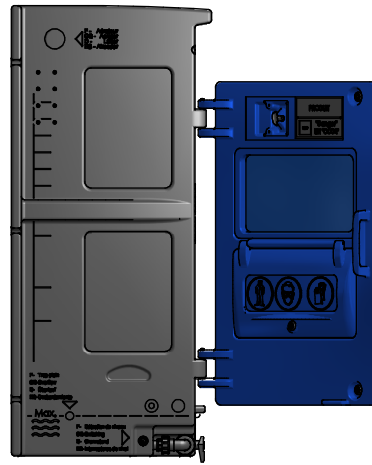
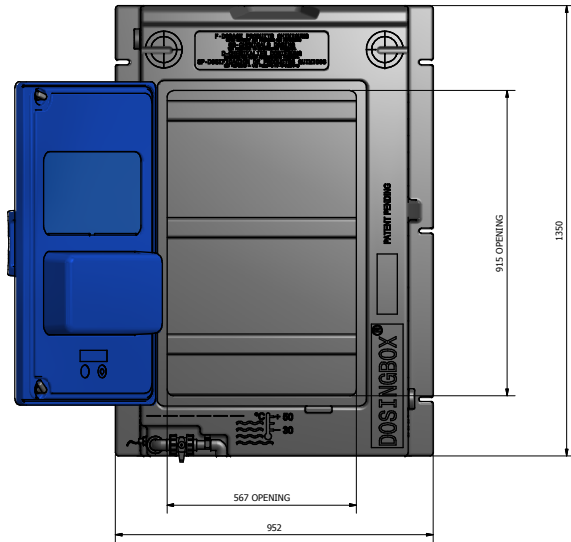
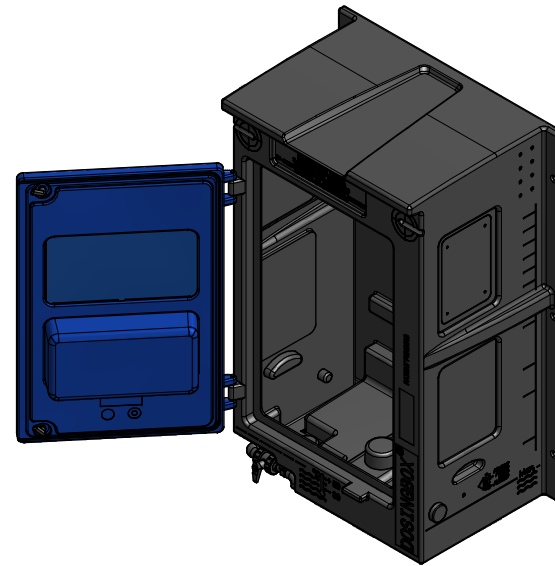


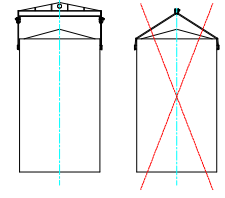
TANK DRY WEIGHT APPROX. 30KGS



ALWAYS REFER TO PLAN VIEW FOR TRUE ORIENTATIONS



FABRICATION NOTES



NOTE:- ALL PLASTIC TANKS TO BE LIFTED USING SUITABLY RATED LIFTING BEAM

- NOTES:-
1. ALL NOZZLES UP TO AND INCLUDING 110MM TO HAVE 3 OFF 10MM THK GUSSETS 100X100.
 2. ALL CUT EDGES TO BE PLANED AND SCRAPPED.
 3. ALL PEN MARKS TO BE REMOVED.
 4. AFTER HYDROTEST ALL NOZZLES TO BE BLANKED OFF USING YELLOW PE CAPS.

NOTE:- IF TANK HAS A SIDE MANWAY BOLTS TO BE TIGHTENED USING TORQUE WRENCH SET AT 95Nm
CUSTOMER TO RE-TORQUE DURING ON SITE HYDROSTATIC TEST

DESIGN DATA	
DESIGN CODE	BS EN 12573
DESIGN PRESSURE	ATMOSPHERIC
OPERATING PRESSURE	ATMOSPHERIC
CONTENTS	
SPECIFIC GRAVITY	
DESIGN TEMPERATURE	
OPERATING TEMPERATURE	
WORKING CAPACITY	
MAXIMUM CAPACITY	
FABRICATION SPECIFICATION	
BASE	
LID	
BACKING RINGS	
GASKETS	
PASTENERS	A2 STAINLESS STEEL

APPROVED
WORKING DRAWING

SIGNED: _____ NAME: _____ DATE: _____

THE INFORMATION ON THIS DRAWING IS STRICTLY CONFIDENTIAL TO CHEM-RESIST GROUP LTD AND SHALL NOT BE DISCLOSED TO A THIRD PARTY WITHOUT PRIOR WRITTEN CONSENT ©COPYRIGHT 1998

INSPECTION AND TESTING

BSEN ISO 9001 QUALITY ASSURANCE IN PROCESS INSPECTION TANK TO BE FILLED WITH WATER FOR 24 HOURS MINIMUM

DRAWING No TITLE		RELATED DRAWINGS	
11	Standard Drawings		
REVISIONS			
REV	AMENDMENT	DATE	BY
		16/2/17	HW

BRITANNIA HOUSE
LOCKWELL
RAVENSTHORPE INDUSTRIAL ESTATE
OSWESTRY
WEST YORKSHIRE
WF13 3JQ
ENGLAND
Tel: +44 (0) 1924 494666
Fax: +44 (0) 1924 490134
Email: enquiry@chemresist.com
WWW.HTTP://WWW.CHEMRESIST.COM

CHEM RESIST

JOB No: _____ CLIENT: ChemResist ICF No: _____ DATE: PE100

TITLE: 1 Door Chemi Box SCALE: A1

DRAWN BY: HW DRG No: _____ PLOT: _____

DATE: 16/2/17 SHEET 1 OF 1